

max. 440 m<sup>3</sup>/h

# DC axial fans

Series 4100 N High Performance 119 x 119 x 38 mm

### Highlights:

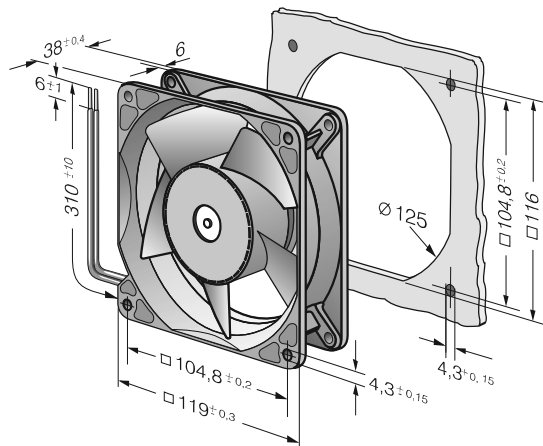
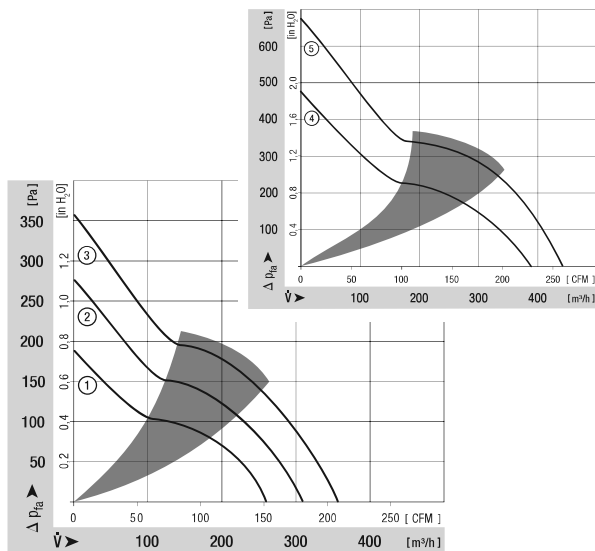
- Very rigid compression curve for high air flow at high back pressure.
- Low operating noise level at high back pressure.
- Optional Vario-Pro: Highly adaptable software configuration of the fan enables a tailor-made solution to the specific requirements of your applications.

### General characteristics:

- Material: aluminium housing, fibreglass-reinforced PA impeller; housing with grounding lug for screw M4 x 8 (Torx).
- Fully integrated electronic commutation.
- Protected against reverse polarity and locking.
- Connection via single strands AWG 22, UL1007, TR 64, bared and tin-plated
- Air intake over struts. Direction of rotation clockwise, seen on rotor.
- Mass: 390 g.



Nominal data	Air flow		Nominal voltage	Voltage range	Sound pressure level	Sound power level	Sinter sleeve bearings Ball bearings	Power input	Nominal speed	Temperature range	Service life L <sub>10</sub> (40 °C) ebmpapst Standard	Service life L <sub>10</sub> (T <sub>max</sub> ) ebmpapst Standard	Life expectancy L <sub>10</sub> Δ (40 °C) see P. 15	Curve	Specials
	m <sup>3</sup> /h	CFM													
4112 NHH	260	152,9	12	9...15	60	6,8	■	13,3	5 000	-20...+65	70 000 / 55 000	147 500	1		
4112 NH3	310	182,4	12	9...15	65	7,2	■	21,6	6 000	-20...+65	65 000 / 37 500	132 500	2	/2	
4112 NH4	355	208,9	12	9...14	67	7,4	■	32,0	6 800	-20...+65	62 500 / 35 000	125 000	3	/2	
4114 NHH	260	152,9	24	16...30	60	6,8	■	12,4	5 000	-20...+65	70 000 / 52 500	147 500	1	/2	
4114 NH3	310	182,4	24	16...30	65	7,2	■	19,5	6 000	-20...+65	65 000 / 37 500	132 500	2	/2	
4114 NH4	355	208,9	24	16...30	67	7,4	■	30,0	6 800	-20...+65	62 500 / 35 000	125 000	3	/2	
4114 NH5	390	229,5	24	16...30	70	7,6	■	45,0	7 500	-20...+65	62 500 / 35 000	125 000	4	/2	
4114 NH6	440	259,0	24	16...30	73	8,1	■	65,0	8 400	-20...+65	60 000 / 32 500	120 000	5	/2	
4118 NHH	260	152,9	48	36...60	60	6,8	■	12,0	5 000	-20...+65	70 000 / 52 500	147 500	1	/2	
4118 NH3	310	182,4	48	36...60	65	7,2	■	20,0	6 000	-20...+65	65 000 / 37 500	132 500	2	/2	
4118 NH4	355	208,9	48	36...60	67	7,4	■	28,0	6 800	-20...+65	62 500 / 35 000	125 000	3	/2	
4118 NH5	390	229,5	48	36...60	70	7,6	■	45,0	7 500	-20...+65	62 500 / 35 000	125 000	4	/2	
4118 NH6	440	259,0	48	36...60	73	8,1	■	62,0	8 400	-20...+65	60 000 / 32 500	120 000	5	/2	



max. 570 m<sup>3</sup>/h

# DC axial fans

Series 4100 N High Performance 119 x 119 x 38 mm

### Highlights:

- Very rigid compression curve for high air flow at high back pressure.
- Low operating noise level at high back pressure.
- Available as standard with PWM control input and speed signal, additional inputs and outputs on request. 3-phase fan drive with high degree of running smoothness.

### General characteristics:

- Material: aluminium housing, fibreglass-reinforced PA impeller; housing with grounding lug for screw M4 x 8 (Torx).
- Protected against reverse polarity and locking.
- Connection via single strands AWG 20, sensor and control leads AWG 22, UL1007, TR 64. Bared and tin-plated.
- Air intake over struts. Direction of rotation clockwise, seen on rotor.
- Mass: 425 g.



Nominal data	Air flow		Nominal voltage	Voltage range	Sound pressure level	Sound power level	Sinter sleeve bearings Ball bearings	Power input	Nominal speed	Temperature range	Service life L <sub>10</sub> (40 °C) ebm-papst Standard	Service life L <sub>10</sub> (T <sub>max</sub> ) ebm-papst Standard	Life expectancy L <sub>10</sub> Δ (40 °C) see P. 15	Curve	Specials
	m <sup>3</sup> /h	CFM													
4114 N/2H7P	500	294,2	24	16...30	76	8,5	■	90	9 500	-20...+75	57 500 / 25 000	115 000	1	/2	
4114 N/2H8P	570	335,5	24	16...30	78	8,9	■	120	11 000	-20...+75	55 000 / 22 500	110 000	2	/2	
4118 N/2H7P	500	294,2	48	36...60*	76	8,5	■	90	9 500	-20...+75	57 500 / 25 000	115 000	1	/2	
4118 N/2H8P	570	335,5	48	36...60*	78	8,9	■	120	11 000	-20...+75	55 000 / 22 500	110 000	2	/2	

\*36...72 VDC on request.

Speed control range from 500 RPM up to maximum nominal speed. Stationary at 0 % PWM, maximum speed at sensor break.  
To attain the specified service life, an external capacitor must be wired between the plus and minus strands.  
Please note the wiring suggestion on page 22.

